



BATHTUBS


Our synthetic marble products have an outer layer of polyester gelcoat. Polyester gelcoat is a specially prepared polyester resin with great durability, resistant to mechanical damage and the effects of chemicals. The products finished with it prove themselves both in terms of quality, functionality and aesthetics.

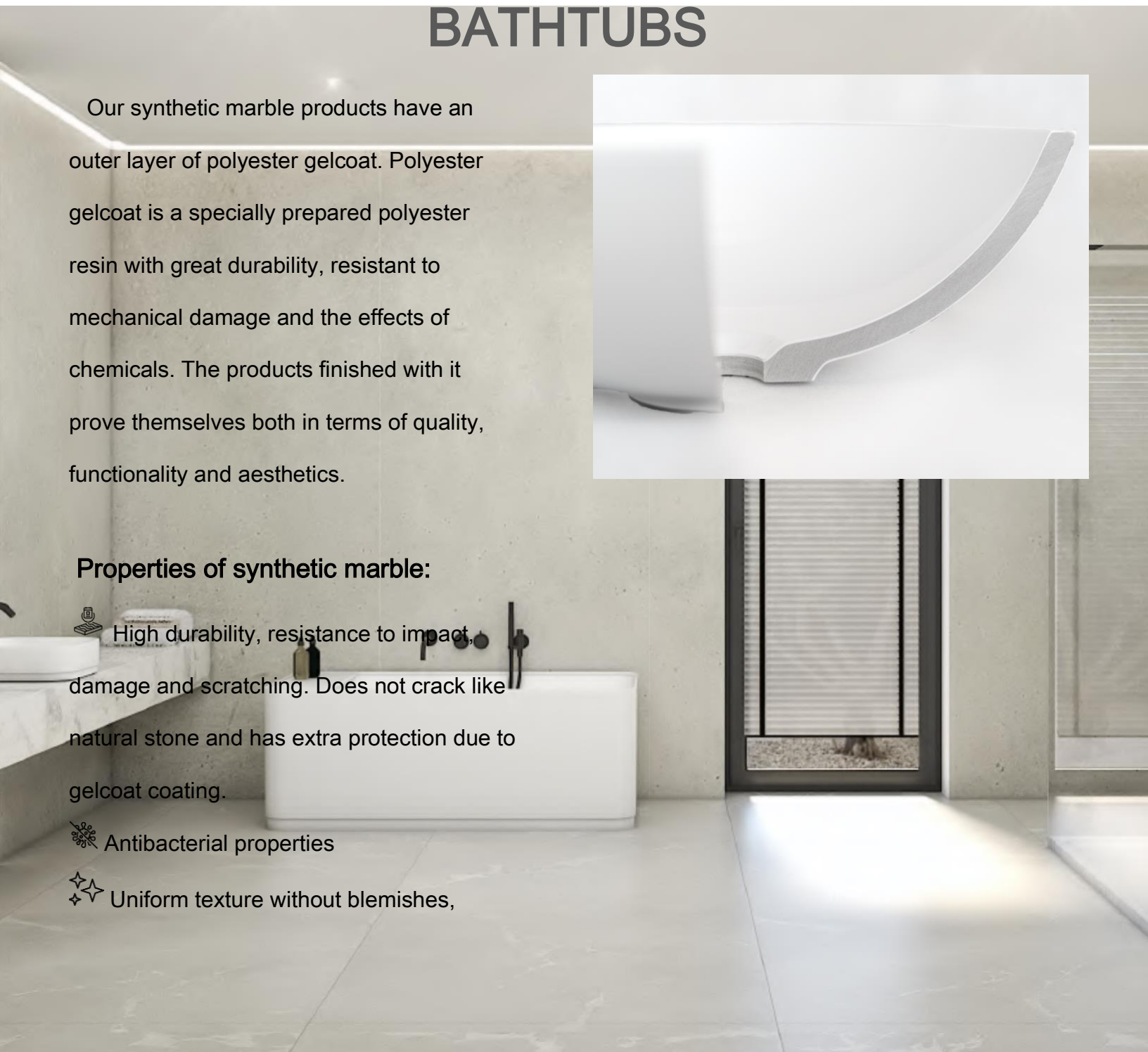


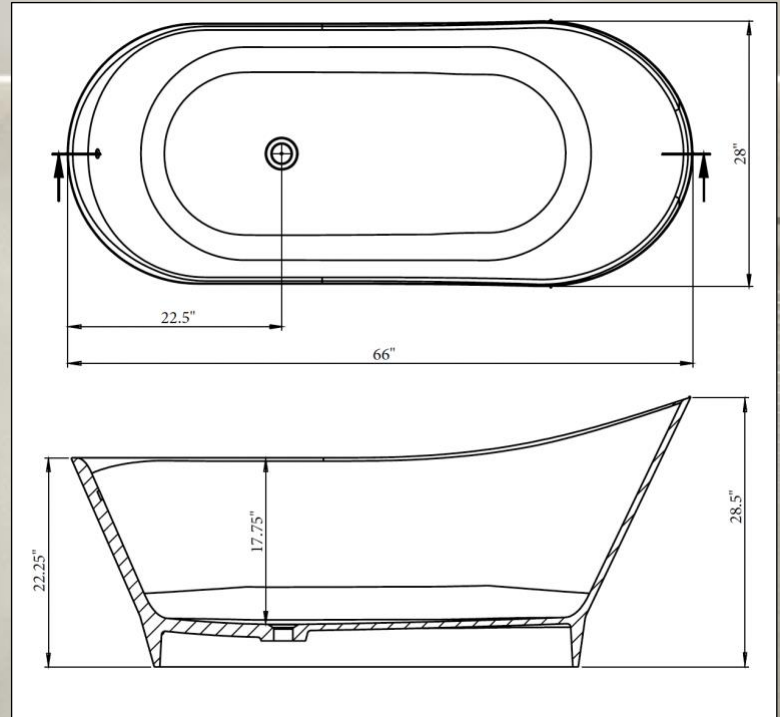
Properties of synthetic marble:

 High durability, resistance to impact, damage and scratching. Does not crack like natural stone and has extra protection due to gelcoat coating.

 Antibacterial properties

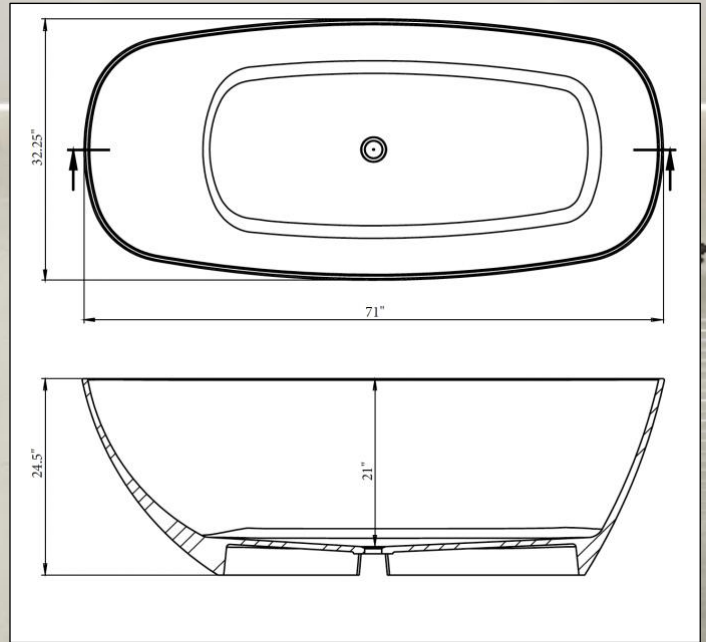
 Uniform texture without blemishes,





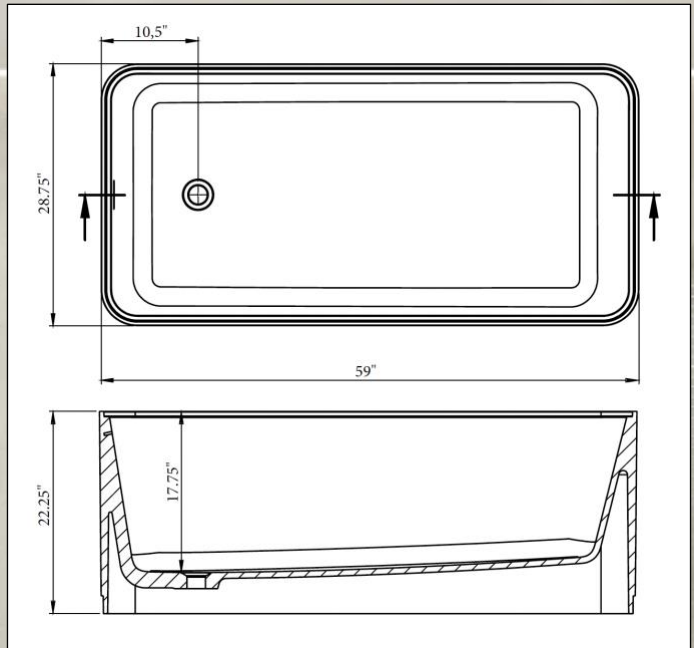
COZY BATHTUB

Dimensions	66" x 28." x 28.5"
Weight	264.55 lbs
Sku#	CZY-20WG
Capacity	58 Gal

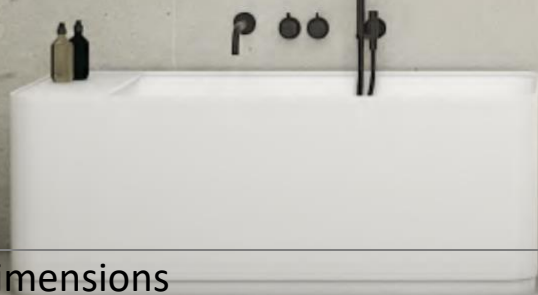


EUREKA BATHTUB

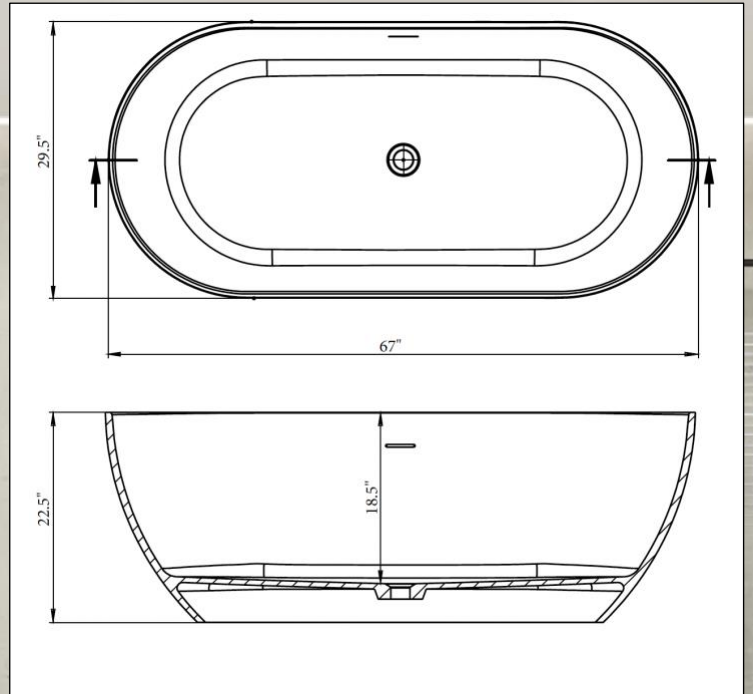
Dimensions	71" x 32.25" x 24.5"
Weight	306 lbs
Sku#	EKA-180-82WG
Capacity	82 Gal



GLOW BATHTUB

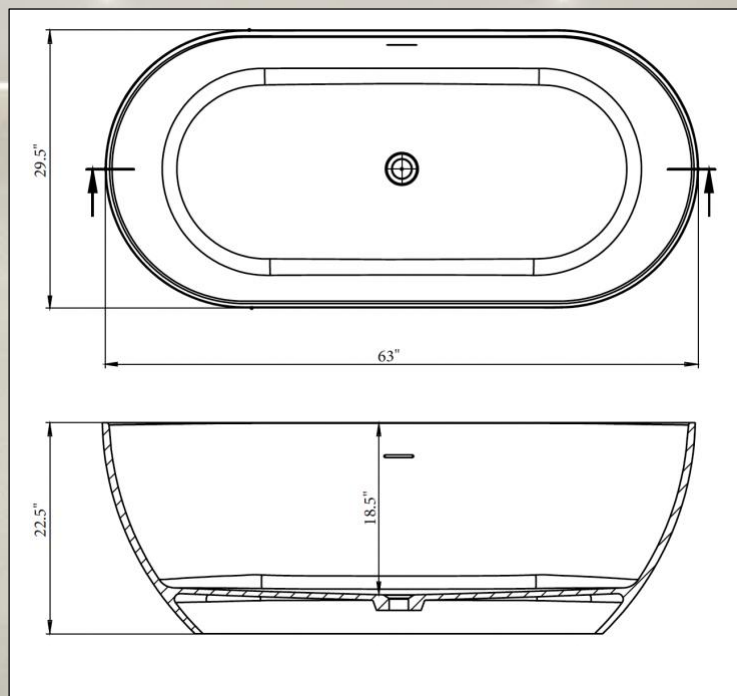


Dimensions	59" x 28.75" x 22.225"
Weight	430 lbs
Sku#	GLW-20-WG
Capacity	85 Gal



SENSE BATHTUB

Dimensions	67" x 29.5" x 22.5"
Weight	310 lbs
Sku#	SNS-170-80WG
Capacity	80 Gal



GOLEM BATHTUB

Dimensions	63" x 29.5" x 22.5"
Weight	297 lbs
Sku#	GLM-160-WG
Capacity	77 Gal

Shades of white:



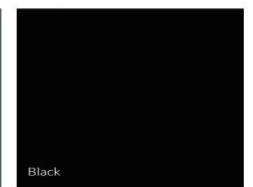
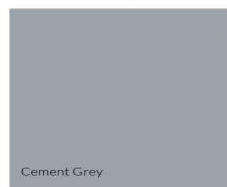
Shades of blue:



Shades of beige:



Shades of gray:



COLORS

Our production is dominated by a wide range of whites, from cool to warm shades: gray, beige or blue. We also make products in black hues.

At the customer's special request, we can make a project in any color. All colors are available in GLOSS or MATT finish

LUXZONE

LUXZONE



VISIT OUR WEBSITE
WWW.LUX-ZONE.COM

VISIT OUR SHOWROOM

1404 JOLIET RD, STE#D
ROMEDEVILLE, IL 60446

PH: 630-594-9000

www.lux-zone.com