



ROUND BATHROOM SINKS

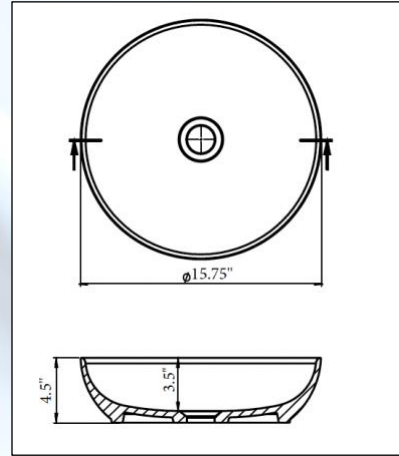
Our modern high quality sinks are made in Europe using synthetic marble. The products have an outer layer of polyester gelcoat which is a specially prepared polyester resin with great durability, resistant to mechanical damage and the effects of chemicals. Products finished with it prove themselves both in terms of quality, functionality and aesthetics.

Properties of synthetic marble:

 High durability, resistance to impact, damage and scratching. Does not crack like natural stone and has extra protection due to gelcoat coating.

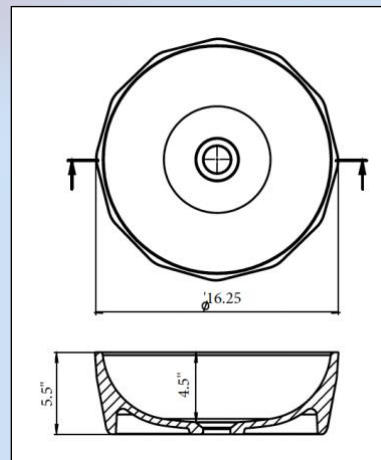
 Antibacterial properties





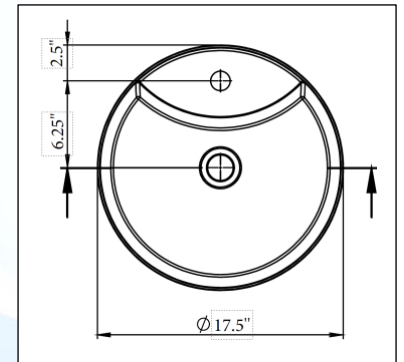
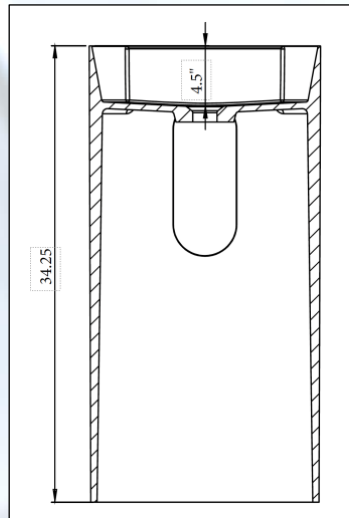
Piccolo Countertop Sink

Dimensions	15.75" x 4.5"
Weight	12.5 lbs
Finish	Polished or matt



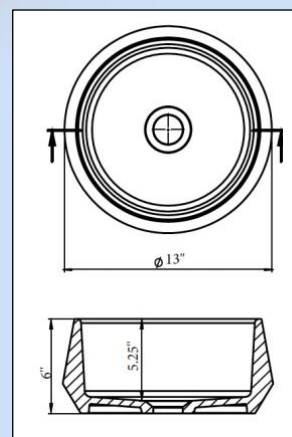
Geo Countertop Sink

Dimensions	16.25" x 5.5"
Weight	18.5 lbs
Finish	Polished or matt



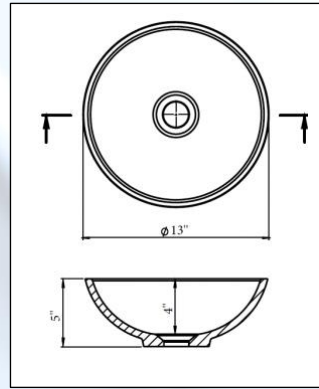
Cone Freestanding Sink

Dimensions	34.25" x 17.5"
Weight	101 lbs
Finish	Polished or matt



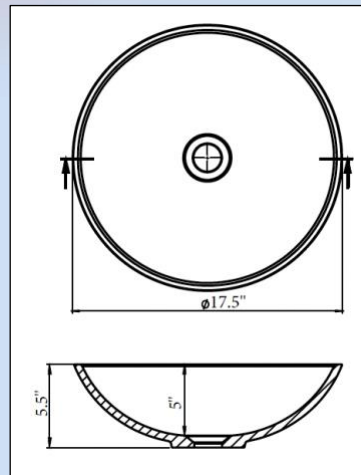
Brena Countertop Sink

Dimensions	13" x 6"
Weight	15.5 lbs
Finish	Polished or matt



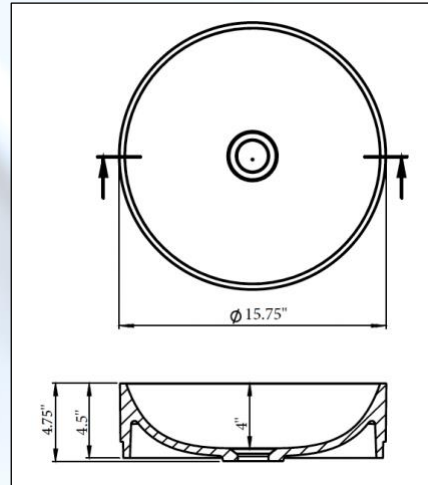
Trend 34 Countertop sink

Dimensions	13" x 5"
Weight	8 lbs
Finish	Polished or Matt



Trend 45 Countertop sink

Dimensions	17.5" x 5.5"
Weight	12 lbs
Finish	Polished or Matt



Glow Circle Countertop Sink

Dimensions	15.75" x 4.75"
Weight	16.5 lbs
Finish	Polished or matt

Shades of white:



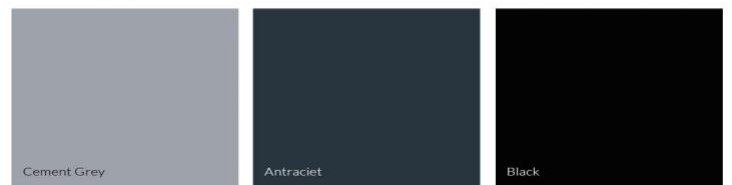
Shades of blue:



Shades of beige:



Shades of gray:



COLORS

Our production is dominated by a wide range of whites, from cool to warm shades: gray, beige or blue. We also make products in black hues.

At the customer's special request, we can make a project in any color. All colors are available in GLOSS or MATT finish

LUXZONE

LUXZONE



VISIT OUR WEBSITE
WWW.LUX-ZONE.COM

VISIT OUR SHOWROOM

1404 JOLIET RD , STE#D
ROMEDEVILLE, IL 60446

PH: 630-594-9000

www.lux-zone.com