

BATHROOM SINKS

Our synthetic marble products have an outer layer of polyester gelcoat. Polyester gelcoat is a specially prepared polyester resin with great durability, resistant to mechanical damage and the effects of chemicals. The products finished with it prove themselves both in terms of quality, functionality and aesthetics.

Properties of synthetic marble:



High durability, resistance to impact, damage and scratching. Does not crack like natural stone and has extra protection due to gelcoat coating.



Antibacterial properties

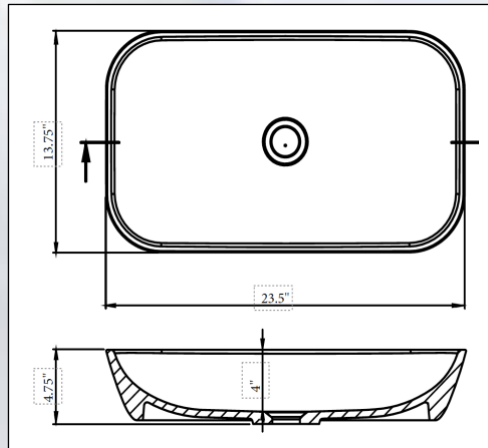


Uniform texture without blemishes, seams or differential structures.



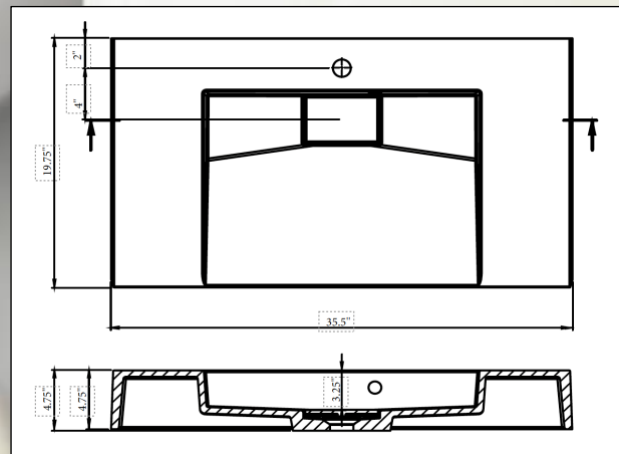
Extremely light compared to natural stone.





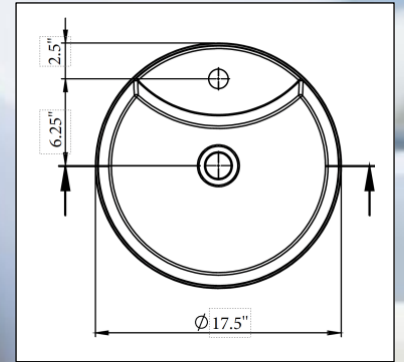
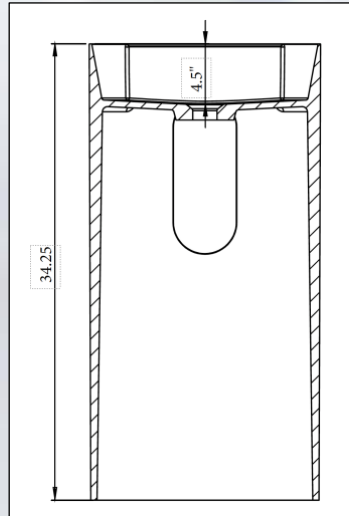
Chuck 600 Countertop Sink

Dimensions	23.5" x 13.75" x 4.75"
Weight	26 lbs
Sku#	CHK-600WM



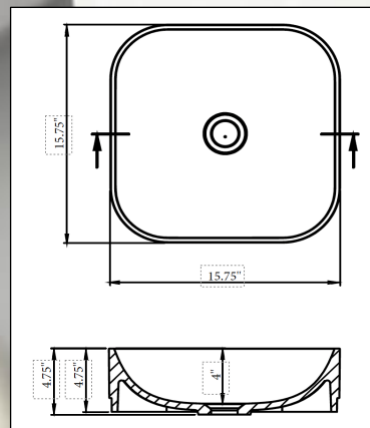
Flat 900 Countertop Sink

Dimensions	35.5" x 19.75" x 4.75"
Weight	62 lbs
Sku#	FLT-900WG



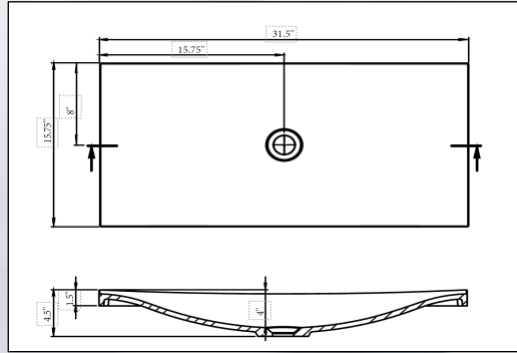
Cone Freestanding Sink

Dimensions	34.25" x 17.5"
Weight	101 lbs
Sku#	CNE-440WG



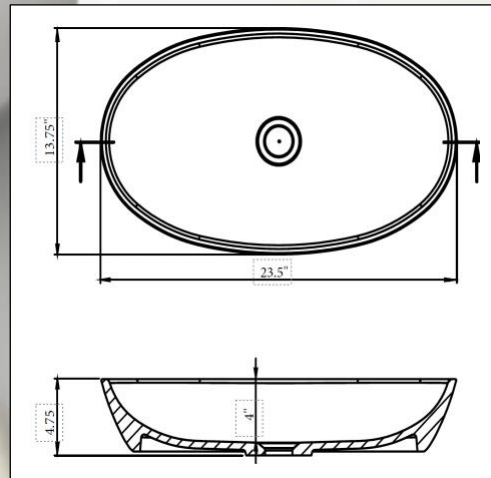
Glow 400 Countertop Sink

Dimensions	15.75" x 15.75" X 4.75"
Weight	19.5 lbs
Sku#	GLW-400WG



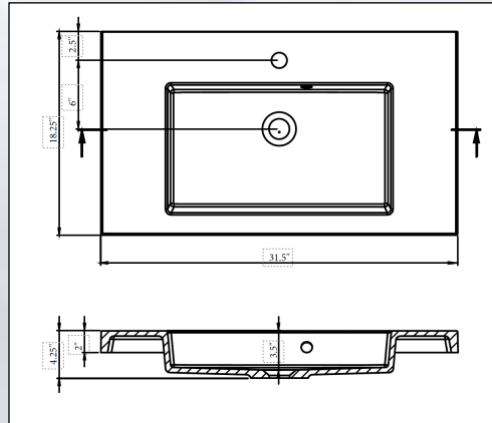
Jazz 800 Built-in Sink

Dimensions	31.5" x 15.75" x 4.5"
Weight	22 lbs
Sku#	JAZ-800WG



Norris 600 Countertop Sink

Dimensions	23.5" x 13.75" x 4.75"
Weight	22 lbs
Sku#	NRS-600WG



Quadra 804 Countertop Sink

Dimensions	31.5" x 18.25" x 4.25"
Weight	44 lbs
Sku#	QDR-804WG

Shades of white:



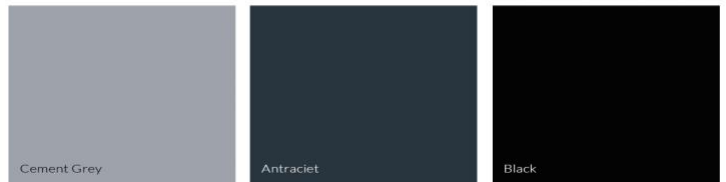
Shades of blue:



Shades of beige:



Shades of gray:



COLORS

Our production is dominated by a wide range of whites, from cool to warm shades: gray, beige or blue. We also make products in black hues.

At the customer's special request, we can make a project in any color. All colors are available in GLOSS or MATT finish

LUXZONE

LUXZONE



VISIT OUR WEBSITE
WWW.LUX-ZONE.COM

VISIT OUR SHOWROOM

1404 JOLIET RD , STE#D
ROMEDEVILLE, IL 60446

PH: 630-594-9000

www.lux-zone.com